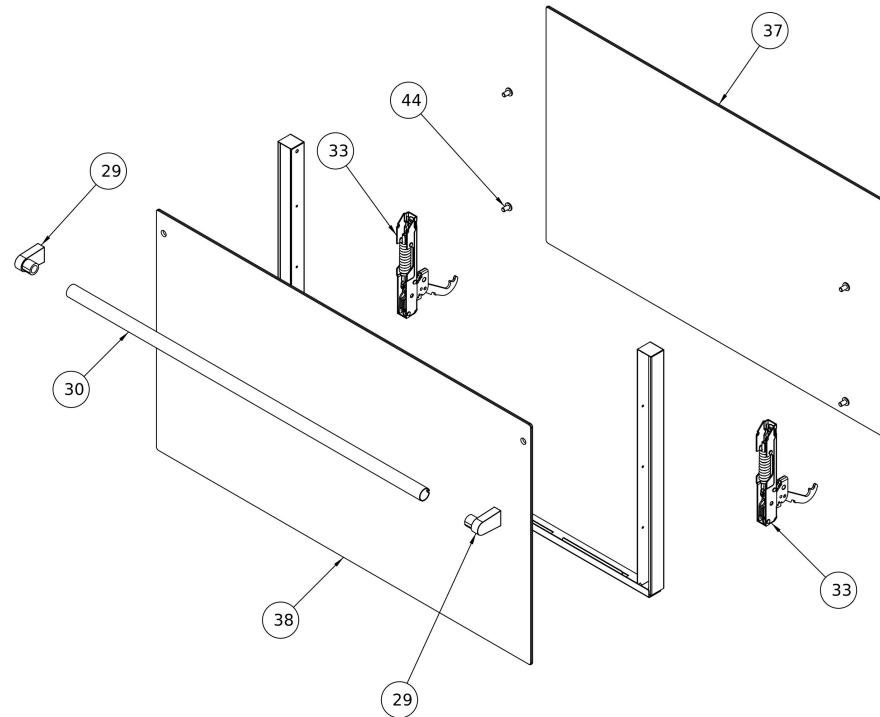
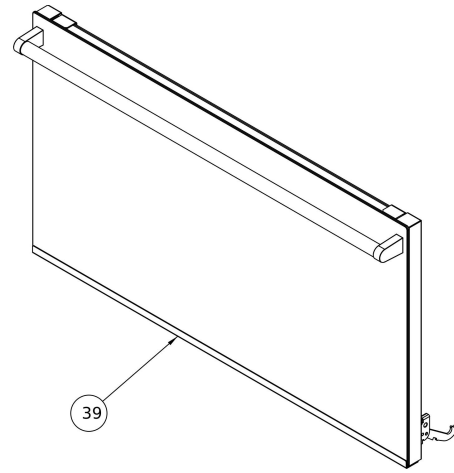


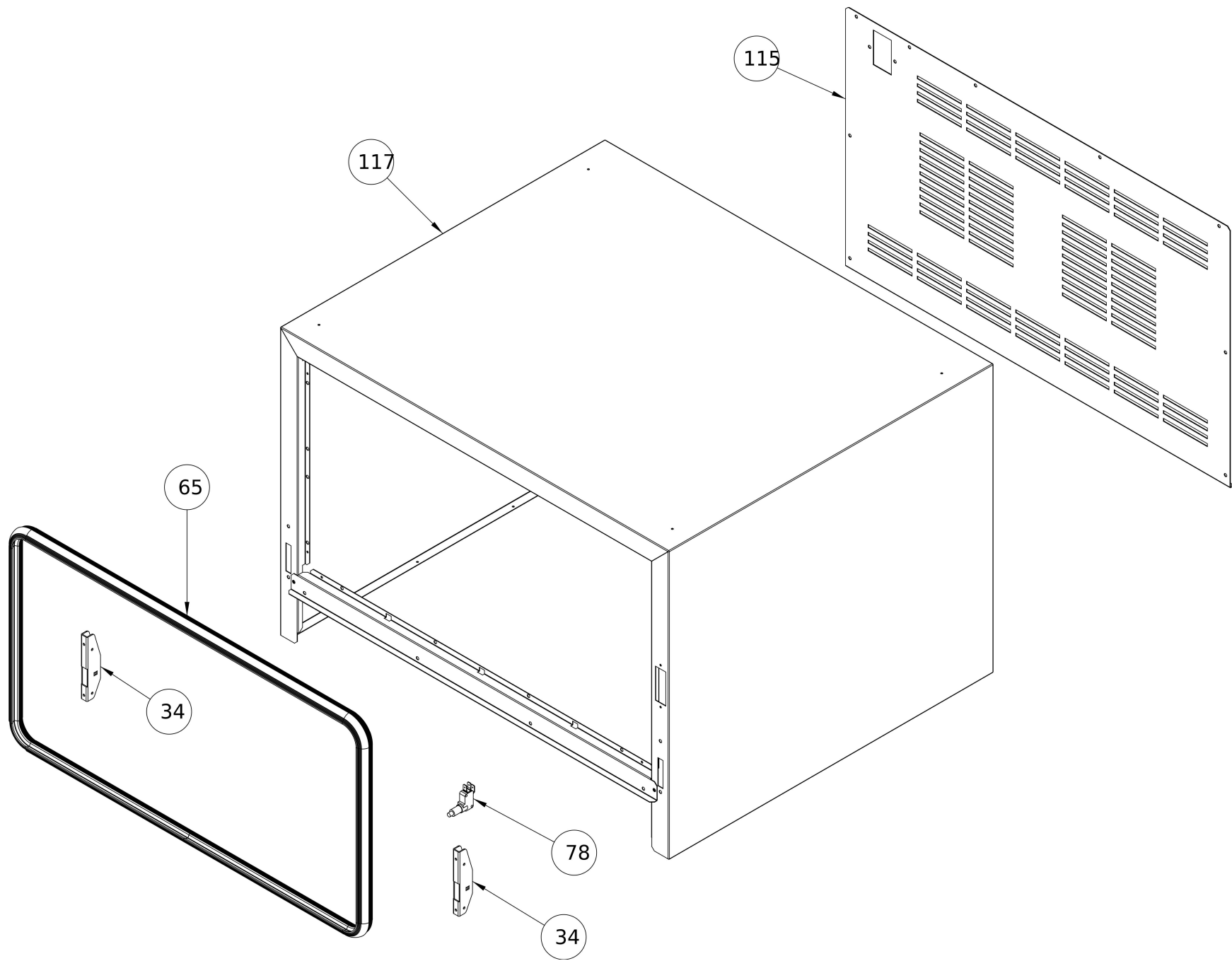
Frontal panel

#	Code	Description	Specification	UM	Qty
1	R51FRO00001	RADAX FRONTAL STICKER	For Radax oven	pz	1
1	R51FRO00014	TATRA FRONTAL STICKER	For Tatra oven	pz	1
2	R50PAR00004	BLUE KNOB	For Radax proofer	pz	3
2	R60MAN0001	SATIN CHROME KNOB	For Tatra oven	pz	3
3	R20LAM00003	INDICATOR LIGHT		pz	1
6	R20REG00003	TIMER		pz	1
7	R20REG00004	THERMOSTAT		pz	1
9	R85CRU00008	Frontal panel		pz	1
11	R20PUL00001 + R20PUL00004	HUMIDIFICATION BUTTON		pz	1
328	R20SCH00003	BUZZER ELECRTONIC BOARD		pz	1



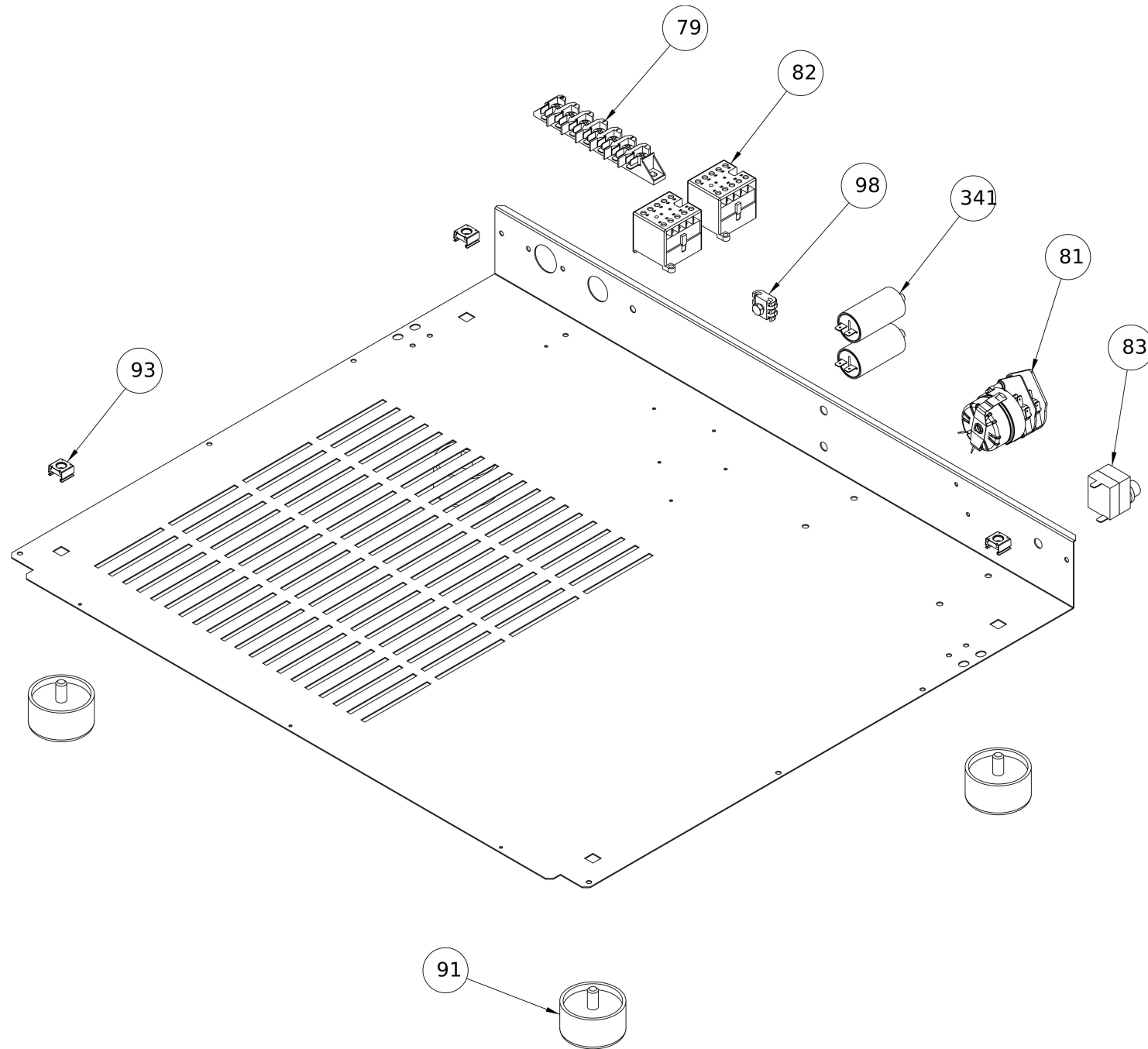
Door

#	Code	Description	Specification	UM	Qty
29	R50PAR00002	DOOR HANDLE PIPE		pz	2
30	R30TBA00004	HANDLE PIPE PLUG		pz	1
33	R60CER00001	DOOR SPRING HINGE		pz	2
37	R80VET00002	DOOR INTERNAL GLASS		pz	1
38	R80VET00001	RADAX DOOR EXTERNAL GLASS	For Radax oven	pz	1
38	R80VET00021	TATRA DOOR EXTERNAL GLASS	For Tatra oven	pz	1
39	R85PTA00002	DOOR ASSEMBLY	To order share s/n	pz	1
44	R60BCC00004	INTERNAL GLASS HINGE		pz	4



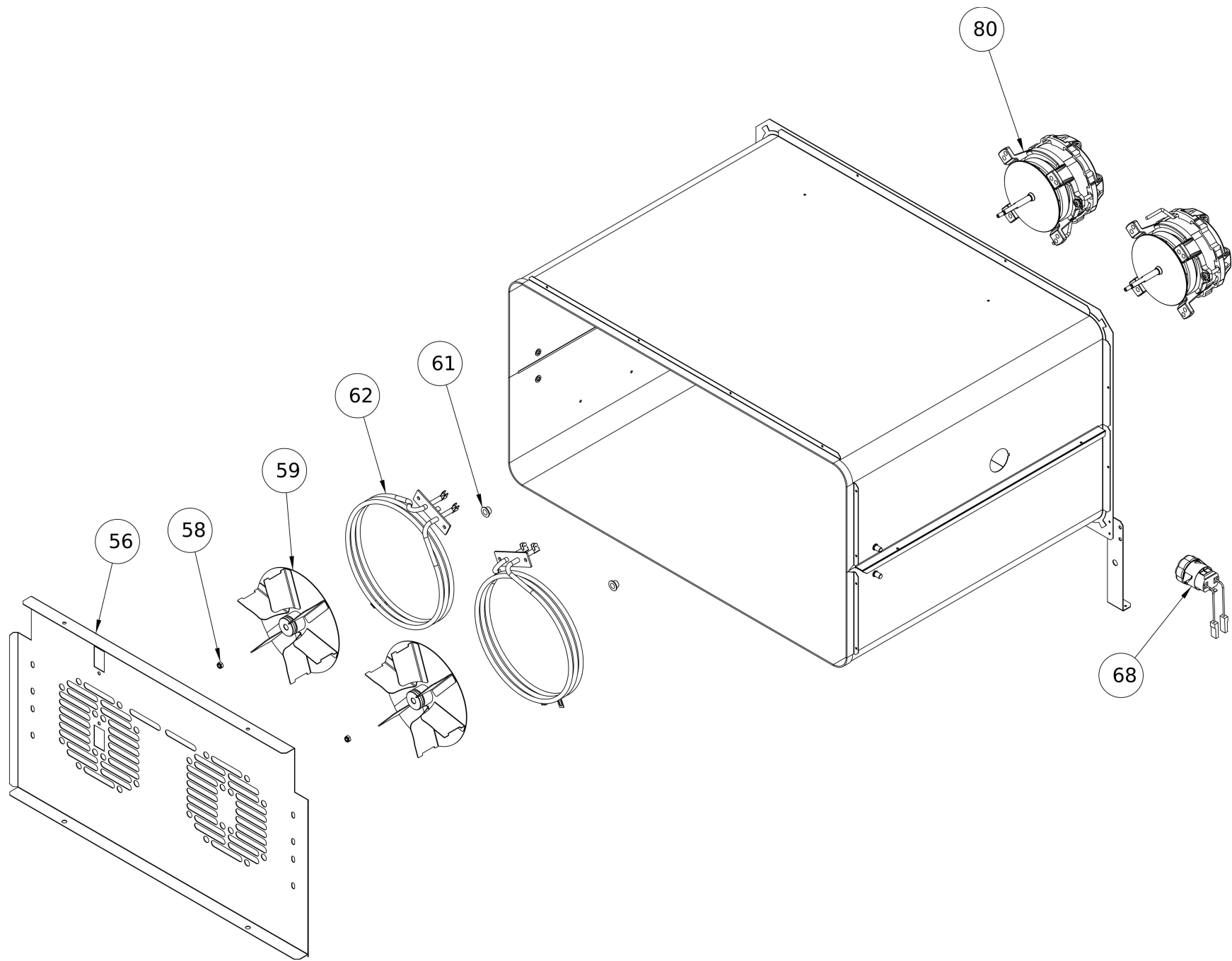
Oven body

#	Code	Description	Specification	UM	Qty
34	R60CER00002	OVEN HINGE		pz	2
65	R50GUA00001	DOOR GASKET		pz	2
78	R20PUL00002	DOOR MICRO		pz	1
115	R10FIA00003	REAR PANEL		pz	1
117	R10FIA00001	COVER PANEL		pz	1



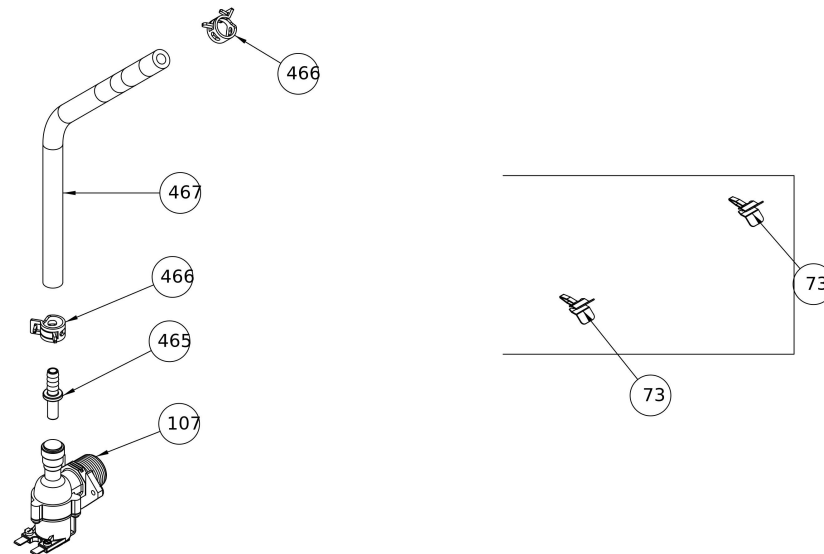
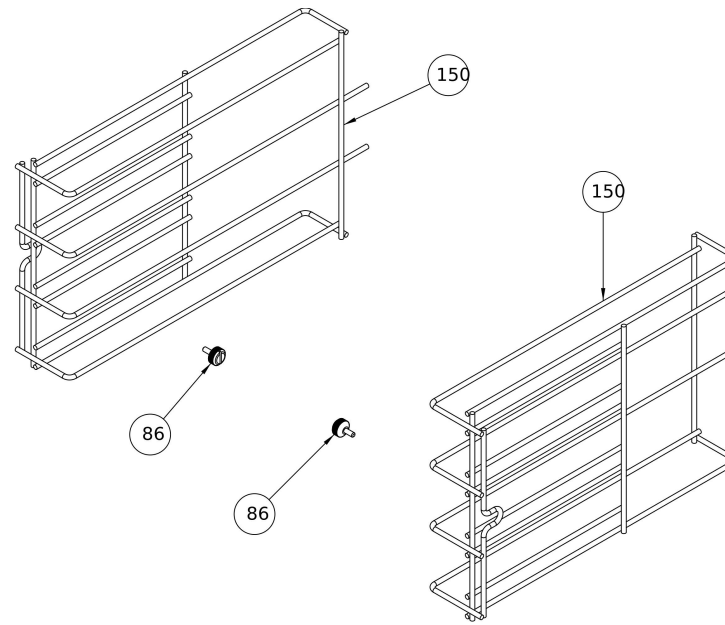
Electrical box

#	Code	Description	Specification	UM	Qty
79	R20MOR00001	TERMINAL BLOCK		pz	1
82	R20TEL00001	BRAKER		pz	2
83	R20REG00001	SAFETY THERMOSTAT		pz	1
91	R60PIE00001	PLASTIC FEET		pz	4
93	R70DGA00001	BOX NUT		pz	4
98	R20MOR00002	THERMINAL BLOCK BRIDGE		pz	1
341	R20CND00001	MOTOR CAPACITOR		pz	1



Cooking chamber

#	Code	Description	Specification	UM	Qty
56	R10DEF00001	AIR DEFLECTOR		pz	1
58	R70DAD00002	MOTOR NUT		pz	2
59	R60VEN00001	IMPELLER		pz	2
61	R60BCC00001	MOTOR BUSH		pz	2
62	R20RES00001	RESISTOR		pz	2
68	R20LAM00001	LAMP		pz	1
80	R20MOT00001	MOTOR		pz	2



#	Code	Description	Specification	UM	Qty
73	R60FAS00001	THERMOSTAT SPRING		pz	2
86	R70VIS00001	SPECIAL SCREW		pz	2
107	R20ELE00001	SOLENOID VALVE		pz	1
150	R60GRI00001	SIDE SUPPORTS		pz	2
465	R61RCC00001	PIPE HOSE		pz	1
466	R60FAS00002	METAL CLAMP		pz	2
467	R30TBG00001	HUMIDIFICATION BLACK PIPE		pz	1